

Doers Window
MANUFACTURING
4901 Oak Fair Blvd., Tampa, FL 33610

4450 Single Hung Window

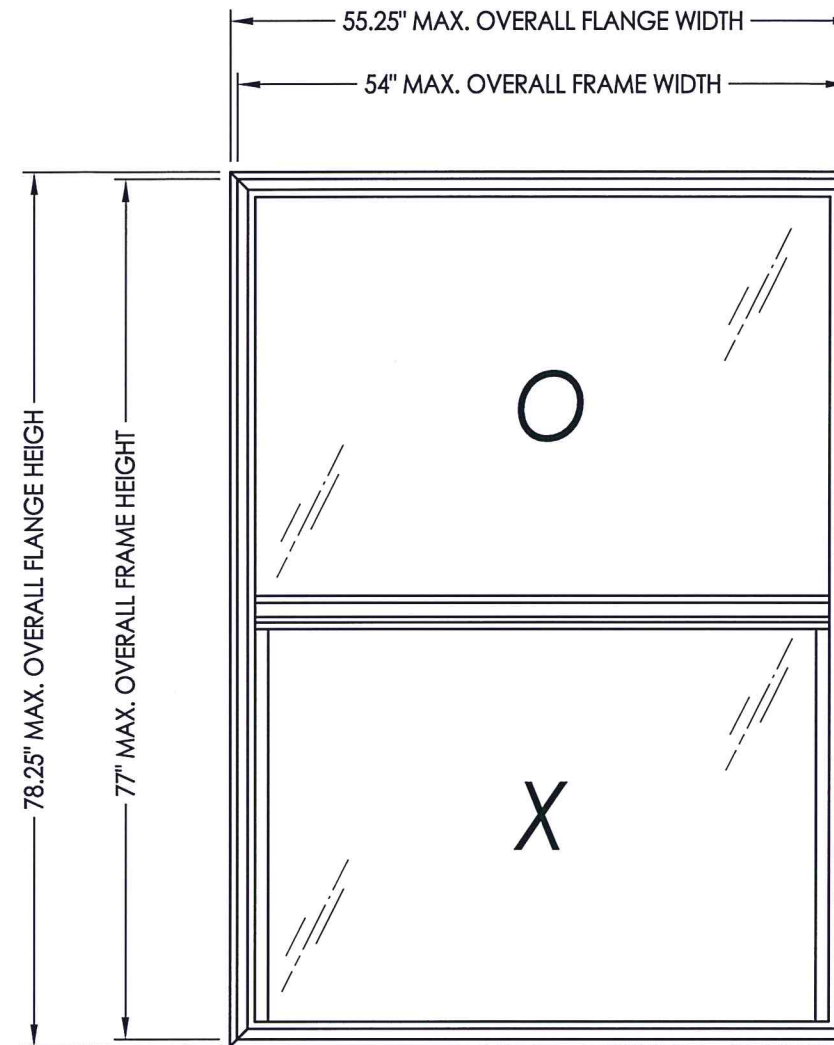
IMPACT RATED w/ Flange

GENERAL NOTES

1. This product anchoring drawing has been evaluated and is in compliance with the 5th Edition (2014) Florida Building Code (FBC) excluding the "High Velocity Hurricane Zone" (HVHZ). See the Certification Agency Certificate for sizes, specifications & ratings.
2. Product anchors shall be as listed and spaced as shown on details. Anchor embedment to base material shall be beyond wall dressing or stucco.
3. When used in areas requiring wind borne debris protection, this product complies with Section 1609.1.2 of the FBC and does not require an impact resistant covering. This product meets missile level "D" and includes Wind Zone 4 as defined in ASTM E 1996 and Section 1609.1.2.2 of the FBC.
4. For 2x stud framing construction, anchoring of these units shall be the same as that shown for 2x buck masonry construction.
5. Site conditions that deviate from the details of this drawing require further engineering analysis by a licensed engineer or registered architect.

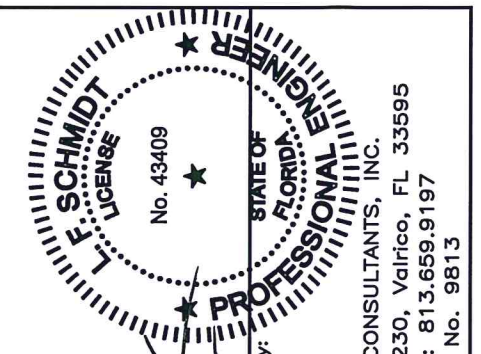
TABLE OF CONTENTS

SHEET#	DESCRIPTION
1	Typical elevations, design pressures & general notes
2	Vertical & horizontal cross sections
3	Vertical & horizontal cross sections
4	Buck & frame anchoring
5	Bill of materials, components and glazing detail



MAX. O.A. FLANGE DIMENSION	MAX. O.A. FRAME DIMENSION	MAX. SASH D.L.O. DIMENSION	MAX. FIXED D.L.O. DIMENSION	GLASS TYPE	DESIGN PRESSURE (PSF)	
					POSITIVE	NEGATIVE
55.25" x 77.25"	54" X 76"	48.12" X 33.5"	50.5" X 35.5"	G1	+40.0	-40.0
44.25" x 78.25"	41" X 77"	33.5" X 33.25"	36.25" X 35.0"	G2	+40.0	-65.0
44.25" x 78.25"	41" X 77"	33.5" X 33.25"	36.25" X 35.0"	G2	+65.0*	-65.0

*Requires sill riser



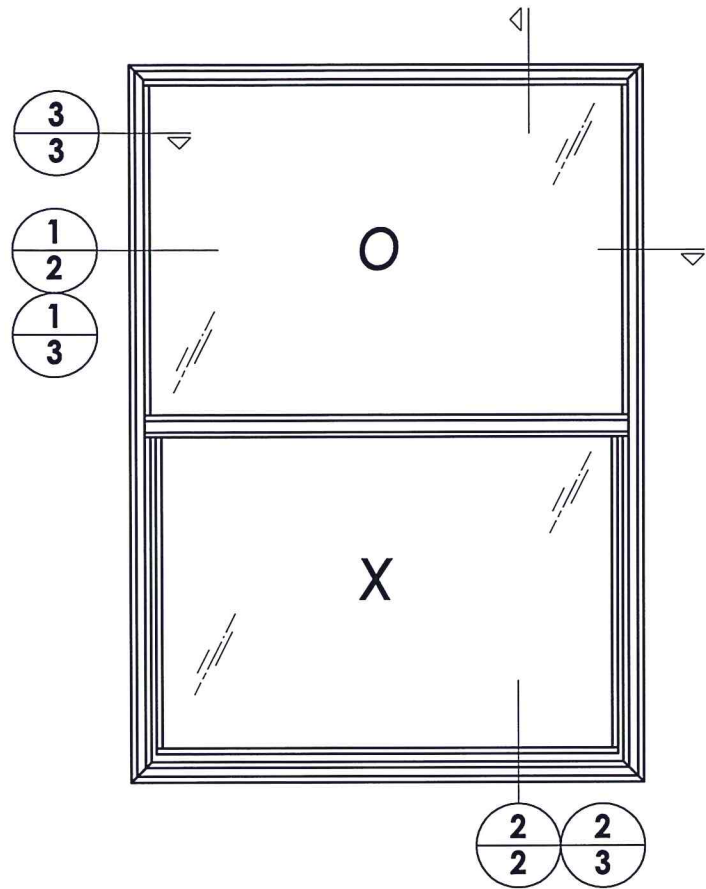
Documents Prepared By:
Lyndon F. Schmidt
P.E. No. 43409

RW
BUILDING CONSULTANTS, INC.
P.O. Box 230, Valrico, FL 33595
Phone No.: 813.659.9197
FBPE C.A. No. 9813

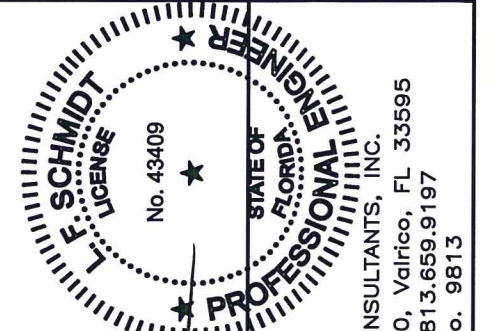
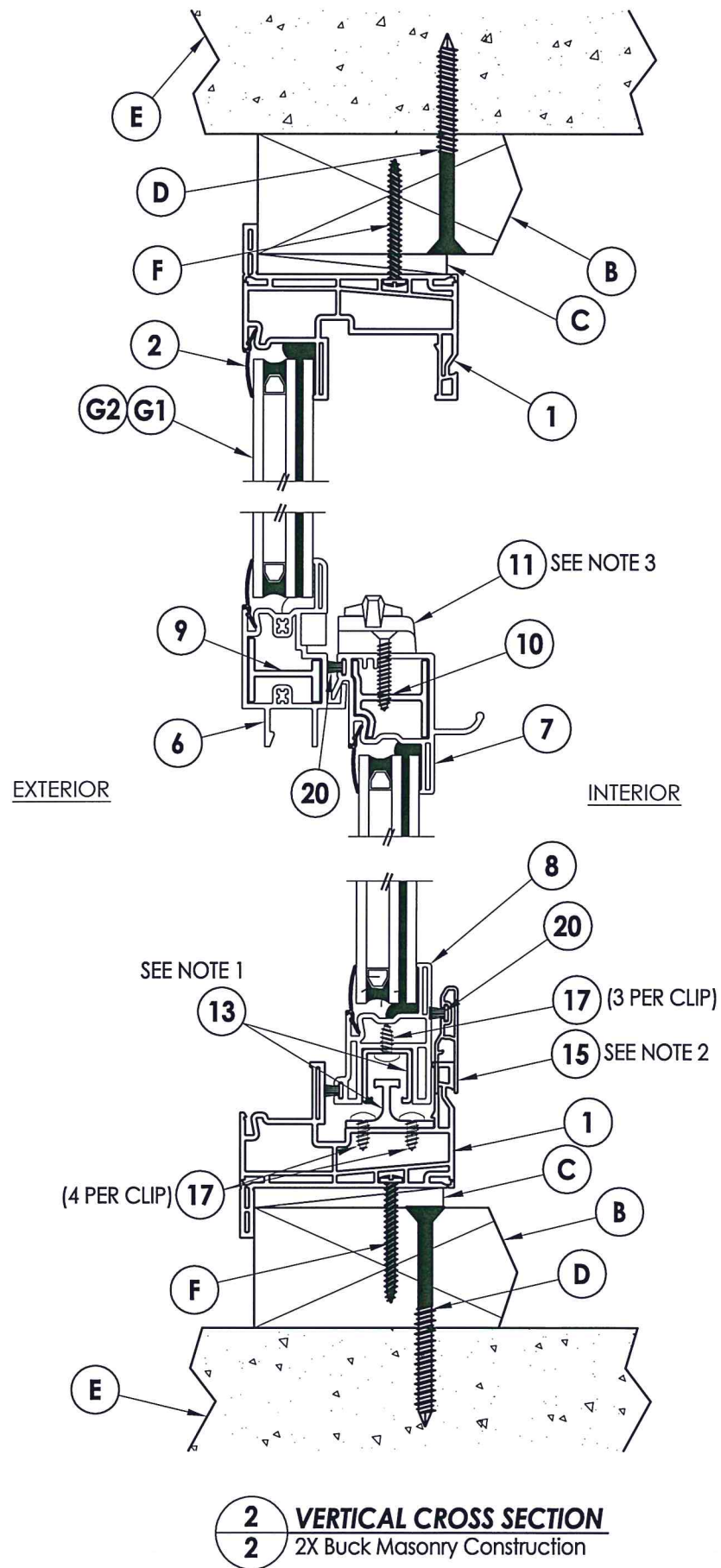
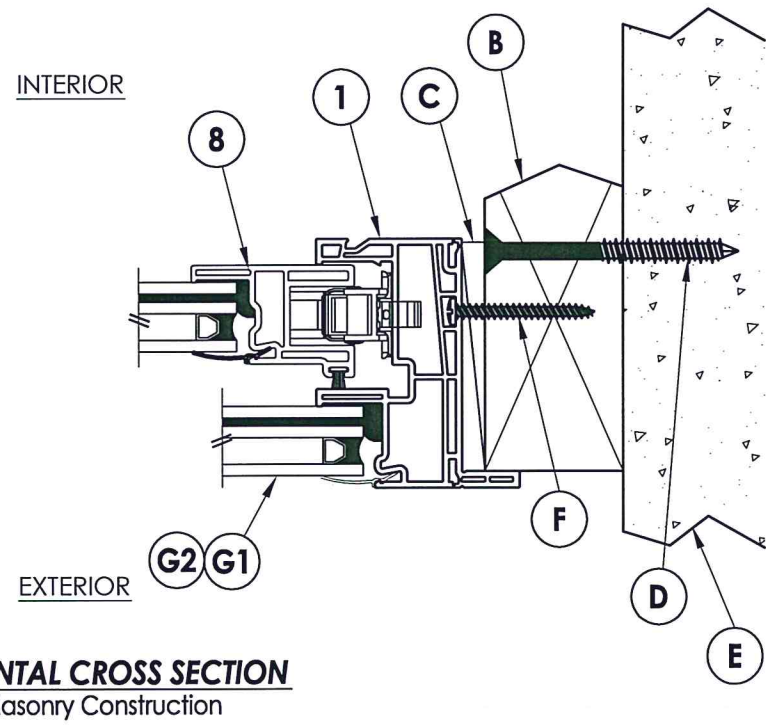
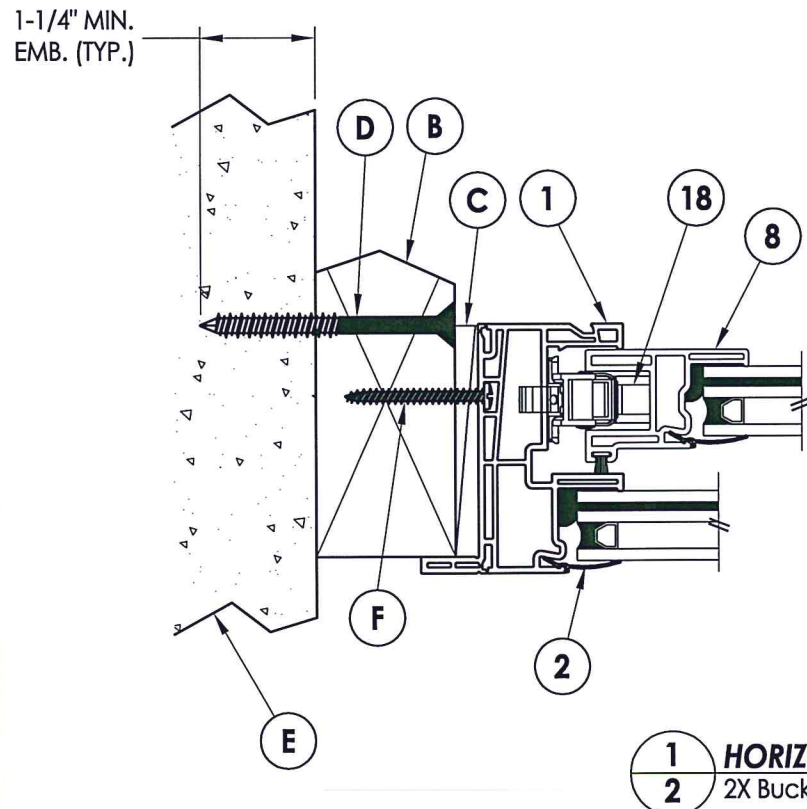
PRODUCT: SINGLE HUNG WINDOW
PART OR ASSEMBLY: TYPICAL ELEVATION, DESIGN PRESSURES & GENERAL NOTES

NO.	DATE	BY	REVISIONS

DATE: 6/26/15
SCALE: N.T.S.
DWG. BY: JK
CHK. BY: LFS
DRAWING NO.: FL-16854.10
SHEET 1 OF 5



- NOTES:
- Sill interlock clip location(s):
For units $\leq 41"$ width - 1 required @ centerline of sill.
For units $> 41"$ width - 2 required at 1/3 pts. along sill.
 - Sill riser required when positive design pressure > 40 psf.
 - Lock and keeper located 12" from each end of frame jamb.



Documents Prepared By:
Lyndon F. Schmidt
P.E. No. 43409

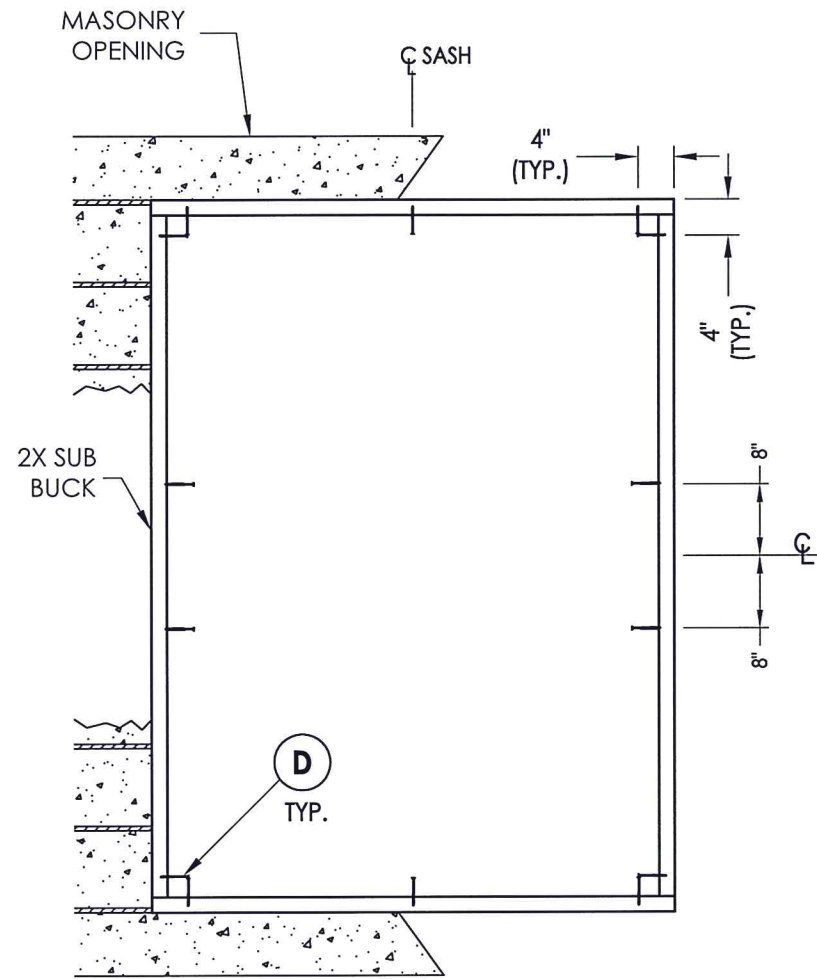
RW BUILDING CONSULTANTS, INC.
P.O. Box 230, Valrico, FL 33595
Phone No.: 813.659.9197
FBPE C.A. No. 9813

PRODUCT: SINGLE HUNG WINDOW

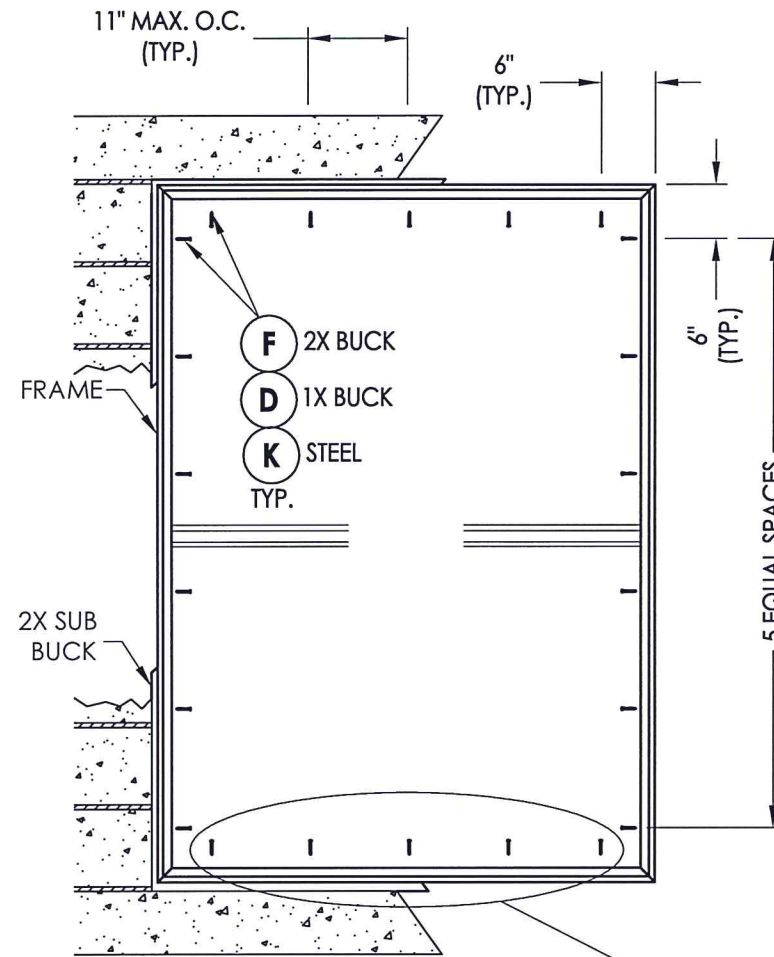
PART OR ASSEMBLY: VERTICAL & HORIZONTAL CROSS SECTIONS

NO.	DATE	BY	REVISIONS

DATE: 6/26/15
SCALE: N.T.S.
DWG. BY: JK
CHK. BY: LFS
DRAWING NO.: FL-16854.10
SHEET 2 OF 5



BUCK ANCHORING
Masonry
Construction



FRAME ANCHORING

NOTE: SILL ANCHORS ARE REQUIRED FOR FRAME WIDTHS > 41" ONLY.

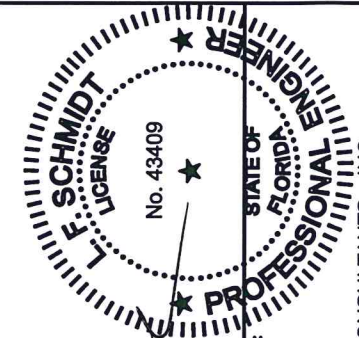
CONCRETE ANCHOR NOTES:

1. Concrete anchor locations at the corners may be adjusted to maintain the min. edge distance to mortar joints.
2. Concrete anchor locations noted as "MAX. ON CENTER" must be adjusted to maintain the min. edge distance to mortar joints, additional concrete anchors may be required to ensure the "MAX. ON CENTER" dimension are not exceeded.
3. Concrete anchor table:

ANCHOR TYPE	ANCHOR SIZE	MIN. EMBEDMENT	MIN. CLEARANCE TO MASONRY EDGE	MIN. CLEARANCE TO ADJACENT ANCHOR
ITW TAPCON®	1/4"	1-1/4"	2"	4"
ELCO ULTRACON®	1/4"	1-1/4"	1"	4"

WOOD SCREW INSTALLATION NOTES:

1. Maintain a minimum 5/8" edge distance, 1" end distance, & 1" o.c. spacing of wood screws to prevent the splitting of wood.



670
9.15.15

Documents Prepared By:
Lyndon F. Schmidt
P.E. No. 43409

RW BUILDING CONSULTANTS, INC.
P.O. Box 230, Valrico, FL 33595
Phone No.: 813.659.9197
FBPE C.A. No. 9813

PRODUCT: SINGLE HUNG WINDOW

PART OR ASSEMBLY:
BUCK & FRAME ANCHORING

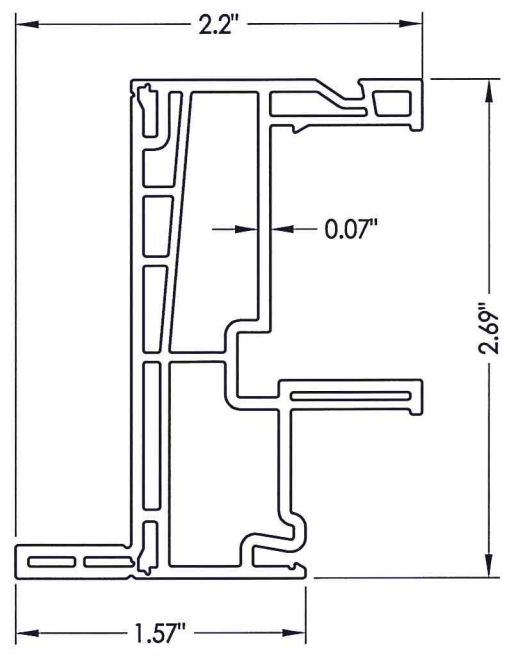
NO.	DATE	BY	REVISIONS

DATE: 6/26/15
SCALE: N.T.S.
DWG. BY: JK
CHK. BY: LFS
DRAWING NO.: FL-16854.10
SHEET 4 of 5

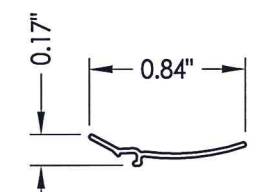
R:\Clients\Doers PERMANENTVA - Florida Product Approvals\FL-16854 Windows - Single Hung\C - Drawings\FL-16854 (2014)\FL-16854.7-14.dwg, 5.3

BILL OF MATERIALS		
ITEM #	DESCRIPTION	MATERIAL
A	1X BUCK (SG >= 0.55)	WOOD
B	2X BUCK (SG >= 0.55)	WOOD
C	1/4" MAX. SHIM SPACE	-
D	1/4" X 2-3/4" PFH ELCO OR ITW CONCRETE SCREW	STEEL
E	MASONRY - 3,000 PSI MIN. CONCRETE CONFORMING TO ACI 301 OR HOLLOW BLOCK CONFORMING TO ASTM C90	CONCRETE
F	#8 X 1-1/2" PPH SMS (1-1/8" MIN. EMBEDMENT)	STEEL
J	STEEL STUD Min. Thk .033" (ASTM A653 GRADE 33 Fy=33 ksi min., Fu=45 ksi min.)	STEEL
K	#10 PPH SELF-DRILLING SMS	STEEL
1	EXTRUDED VINYL FRAME *	RIGID PVC
2	EXTRUDED VINYL GLAZING BEAD *	RIGID PVC
3	GLASS SETTING BLOCK	-
4	GLAZING SPACER (Duraseal)	-
5	GLAZING SEALANT (Sikaflex-552)	SILICONE
6	MEETING RAIL*	RIGID PVC
7	LOCK RAIL*	RIGID PVC
8	STILE/RAIL*	RIGID PVC
9	MEETING RAIL REINFORCEMENT	ALUM
10	LOCK RAIL REINFORCEMENT	ALUM
11	SASH LOCK	-
12	KEEPER	-
13	INTERLOCK CLIP	ALUM
14	ROLLER	-
15	SILL RISER*	RIGID PVC
16	ROLLER TRACK*	RIGID PVC
17	#6 X 3/8" PPH SMS	STEEL
18	WINDOW BALANCE	-
20	WEATHERSTRIP (.187" X .290")	-

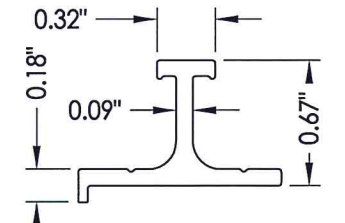
* THE APPROVED WHITE RIGID PVC EXTERIOR EXTRUSIONS FOR WINDOWS ARE TO BE PRODUCED BY EXTRUDERS LICENSEES IN "AAMA CERTIFICATION PROGRAMS FOR RIGID PVC EXTRUSIONS".



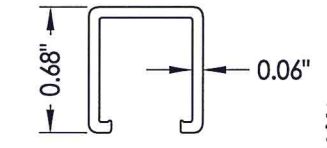
1 FRAME



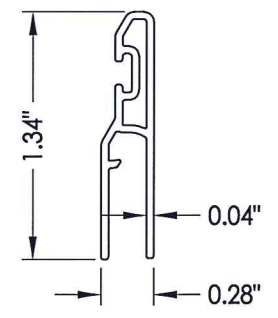
2 GLAZING BEAD



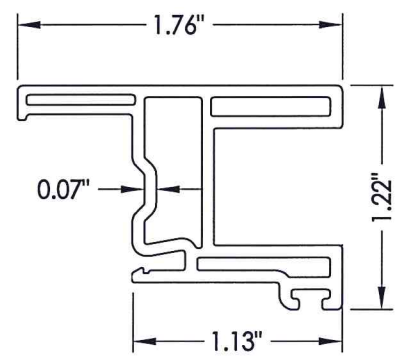
13 SILL INTERLOCK CLIP
Sill (3"Long)



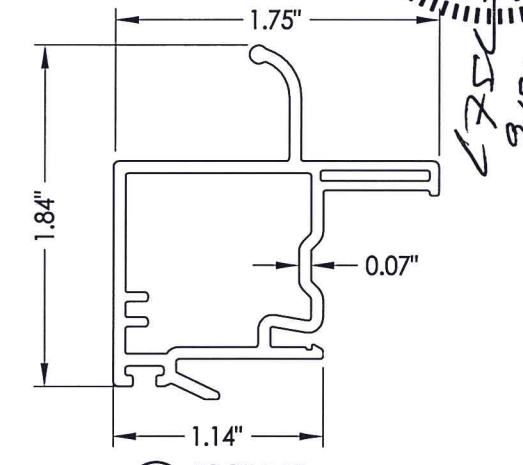
13 SILL INTERLOCK CLIP
Sash (3"Long)



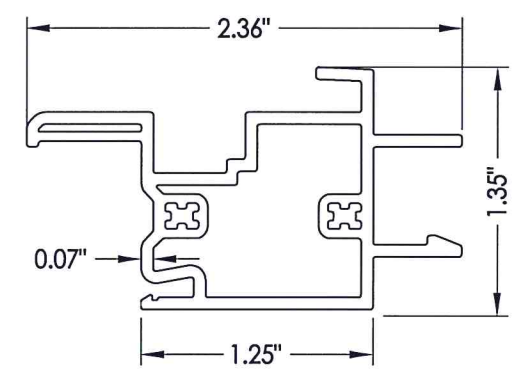
15 SILL RISER



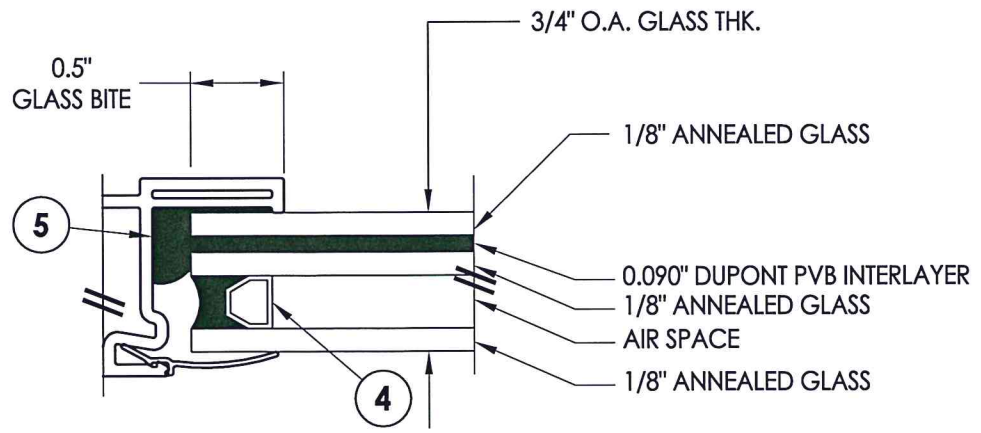
8 STILE/RAIL



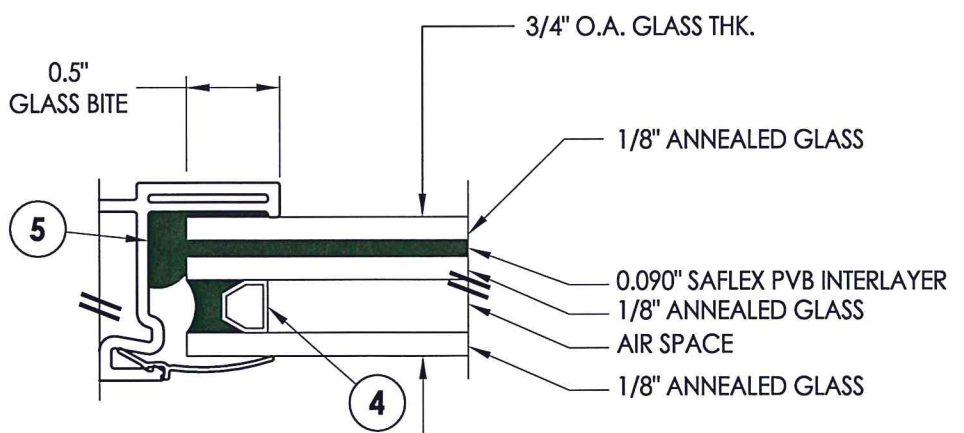
7 LOCK RAIL



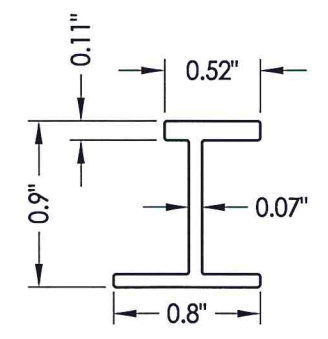
6 MEETING RAIL



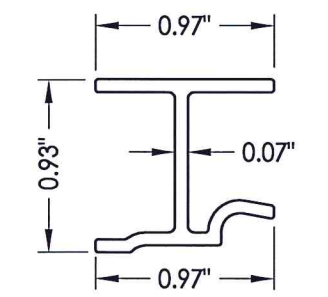
G1 GLAZING DETAIL



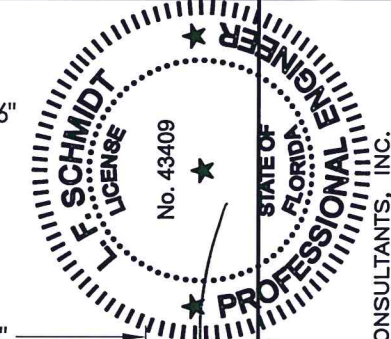
G2 GLAZING DETAIL



9 REINFORCEMENT
Meeting Rail



10 REINFORCEMENT
Lock Rail



Documents Prepared By:
Lyndon F. Schmidt
P.E. No. 43409

RW BUILDING CONSULTANTS, INC.
P.O. Box 230, Valrico, FL 33595
Phone No.: 813.659.9197
FBPE C.A. No. 9813

PRODUCT: SINGLE HUNG WINDOW
PART OR ASSEMBLY: BILL OF MATERIALS, COMPONENTS AND GLAZING DETAIL

NO.	DATE	BY	REVISIONS

DATE: 6/26/15
SCALE: N.T.S.
DWG. BY: JK
CHK. BY: LFS
DRAWING NO.: FL-16854.10
SHEET 5 OF 5